

MS3018

ASSEMBLY INSTRUCTIONS

Getting started:

prepare a protection layer, a screwdriver

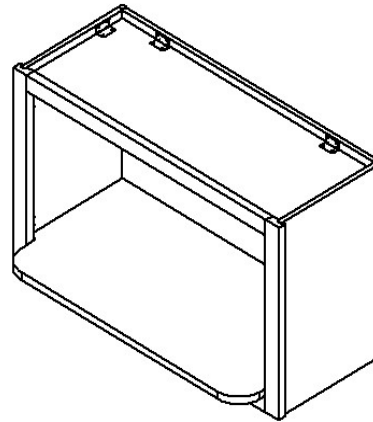
STEP 1: Joint top panel with back panel

STEP 2: Joint side panel with back panel

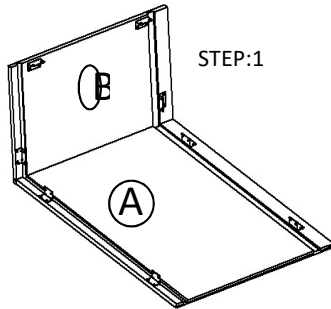
STEP 3: Joint bottom panel and middle panel with side panel

STEP 4: Attach frame on

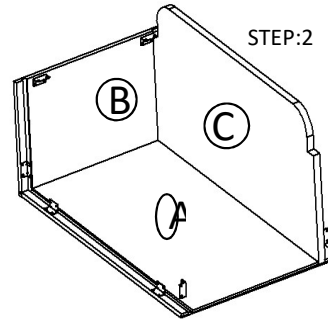
STEP 5: Fix door onto the frame and adjust the cover-space



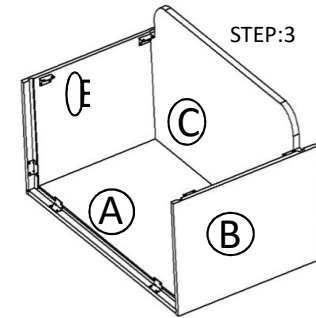
PARTS LIST		
NO.	Description	QTY
A	BACK PANEL	1
B	SIDE PANEL	2
C	BOTTOM PANEL	1
D	TOP PANEL	1
E	FACE FRAME	1



STEP:1

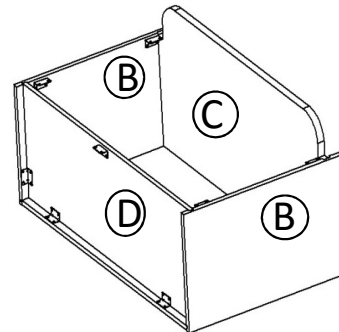


STEP:2

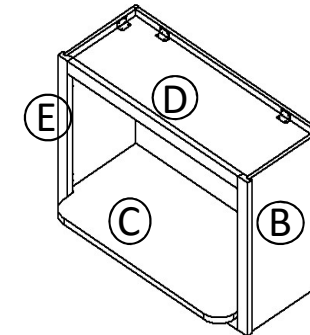



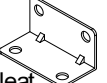

STEP:3

STEP:4



STEP:5



3	9/16" ROUND HEAD SCREW	56	 9/16" round head screw
2	CLEAT	14	 Cleat
1	1" FLAT HEAD SCREW FOR CARCASS	4	 1" flat head screw
NO.	Description	QTY	PICTURE
HARDWARE LIST			